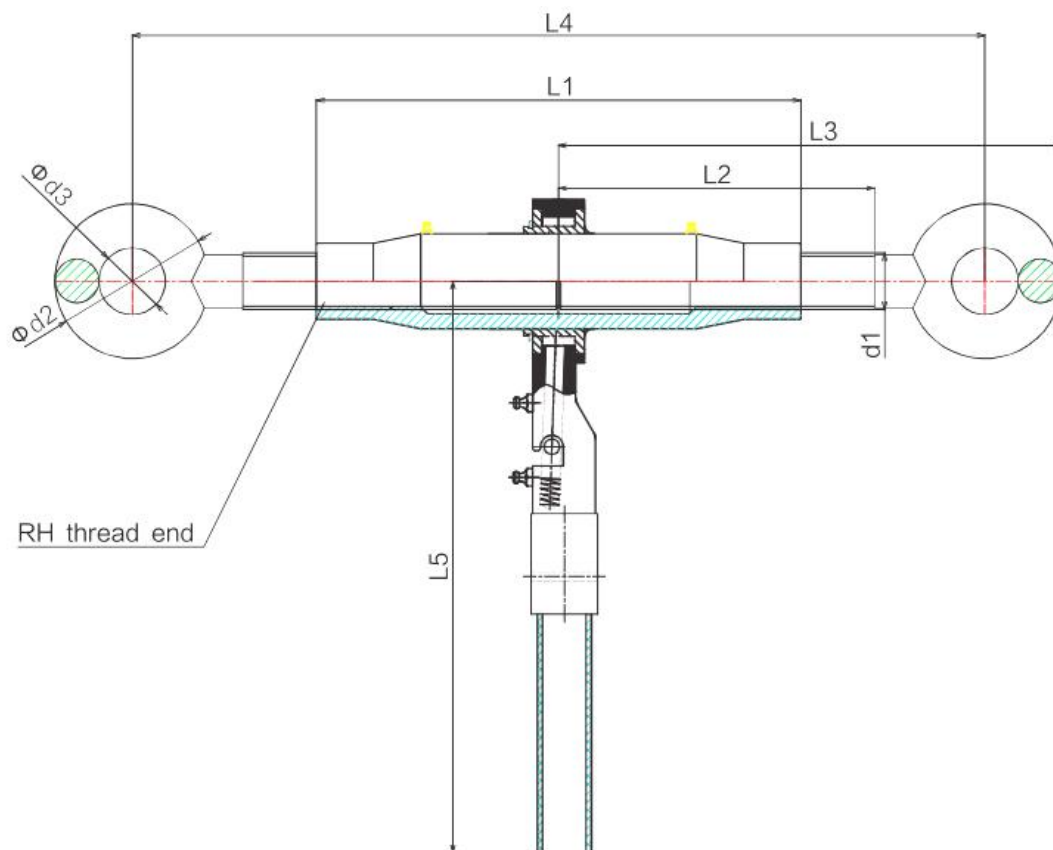


Eye to eye ratchet turnbuckle



Part No.	Thread d1	d2	d3	L1	L2MIN	L3	L4	L5	Adjustable	Weight kg
RE0240	M24	28	65	255	135	212	424-604	250	180	
RE0300	M30	31	71	255	135	224	448-608	400	160	
RE0360	M36	38	94	295	160	277	554-734	400	180	

Eye eye ratchet turnbuckle is used for heavy duty waste compaction system, Swintool made ratchet binders type with metric coarse thread, forged eyes in different sizes from M 24 to M42 for heavy duty series, small size ratchet load binder size from M6 to M20.

Various working load limits is available for your specialty need, durability carbon steel construction for baler ratchet. This is popular in Germany, cm ratchet binder. In USA made, such as DR2 and DR 3 durability ratchet turnbuckle with ACME thread.