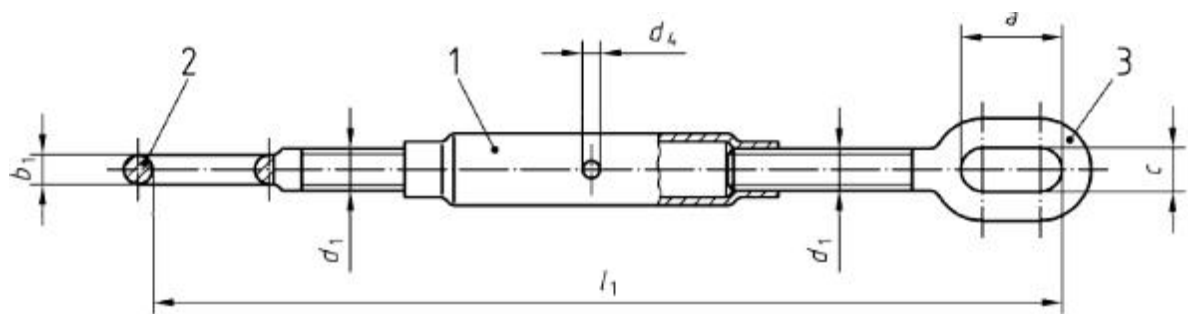


Turnbuckle DIN 82004 with oval eyes Form A



Part NO.	a mm	b1 mm	c mm	RH and LH thread	d4 mm	l1 mm max.
TB8A12	29	8	13	M12	12	406
TB8A16	48	12	21	M16	12	487
TB8A18	48	12	21	M18	12	522
TB8A22	58	16	26	M22	14	584
TB8A24	58	16	26	M24	14	618
TB8A27	72	21	32	M27	14	692
TB8A30	72	21	32	M30	18	725
TB8A33	94	26	40	M33	18	806
TB8A36	94	26	40	M36	18	848
TB8A42	108	29	45	M42	22	944
TB8A52	125	36	54	M52	22	1120