

DIN 82004:2008 turnbuckles with oval eyes, double lugs, round eyes head fittings:

Turnbuckle DIN 82004 Technical info including two parts as follows:

Part 1: Non-alloy quality steel

Part 2: Stainless steel

Material of closed body turnbuckle:

Seamless cold drawn tubes of grade L 355 steel as in DIN EN 10224, in China, Q345B steel.

Stainless steel is Grade A4 I as in DIN EN ISO 3506-2, in China 304, 316 or 316L stainless steel..

Screw threads of turnbuckle:

The threads of turnbuckles shall be metric coarse pitch threads as in DIN ISO 965-2, produced to tolerance 6H.

Turnbuckle with Right-hand thread and Left-hand thread, as RH and LH thread.

Surface finish of turnbuckle:

DIN EN ISO 4042 shall apply with regard to electroplating.

DIN EN ISO 10684 shall apply with regard to hot dip galvanizing.

For turnbuckles made of stainless steel, passivation in accordance with DIN EN ISO 16048 is required.

Turnbuckle Connection components:

Oval eyes is according to DIN 82006-1 and DIN 82006-2.

Double lugs, clevis jaw, fork links is according to DIN 82008-1 and DIN 82008-2.

Round eyes is according to DIN 82010-1 and DIN 82010-2.

Customized forged clevis fork links, eye blot, hooks, rod end etc.

Turnbuckle Assembly Types:

Turnbuckle shall be assembled types as follows:

Form A: Turnbuckle DIN 82004 with oval eyes, left hand and right hand thread.

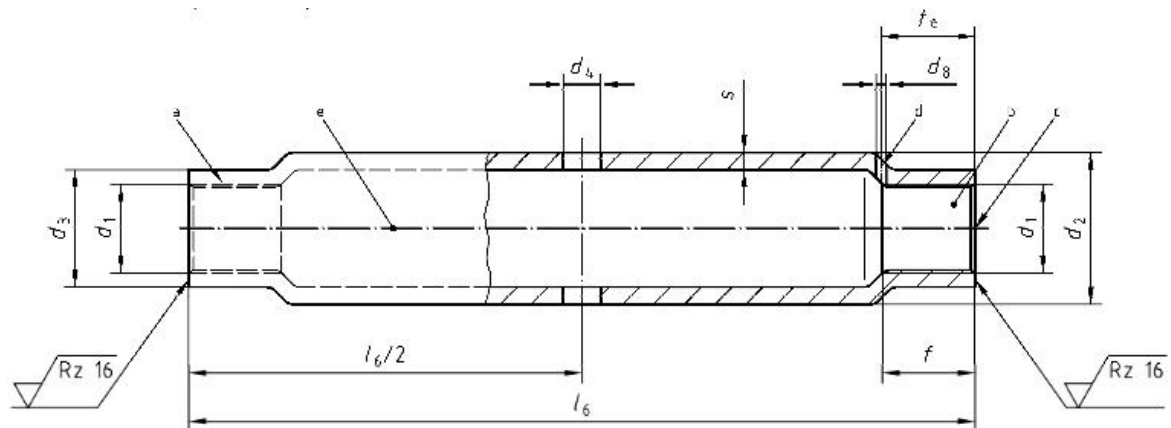
Form B: Turnbuckle DIN 82004 with double lugs, left hand and right hand thread.

Form C: Turnbuckle DIN 82004 with round eyes, left hand and right hand thread.

Form D: Turnbuckle DIN 82004 with fork link LH, round eye RH.

Form E: Turnbuckle DIN 82004 with fork link LH, oval eye RH.

Turnbuckle DIN 82004 frame body Dimensions



Part No.	Thread RH and LH d_1	$d_2 \times S$ mm min.	d_3 mm min.	d_4 mm	d_8 mm	f mm	l_6 mm	t mm
TB812	M12	25x4	18	012.	4	12	180	22
TB816	M16	30x4,5	23	012.	4	16	200	26
TB818	M18	31,8x4,5	25	12	4	18	220	28
TB822	M22	38 x5,6	30	14	4	22	240	33
TB824	M24	42,4x5,6	33	14	4	24	260	36
TB827	M27	44,5x5,6	37	14	4	27	280	37
TB830	M30	51x6,3	41	18	4	30	300	43
TB833	M33	57x8	46	18	6	33	320	49
TB836	M36	63,5x8	50	18	6	36	340	54
TB842	M42	70x8,8	57	22	6	42	380	59
TB845	M45	76,1x10	63	22	6	45	420	62
TB852	M52	88,9x10	72	22	6	52	460	71