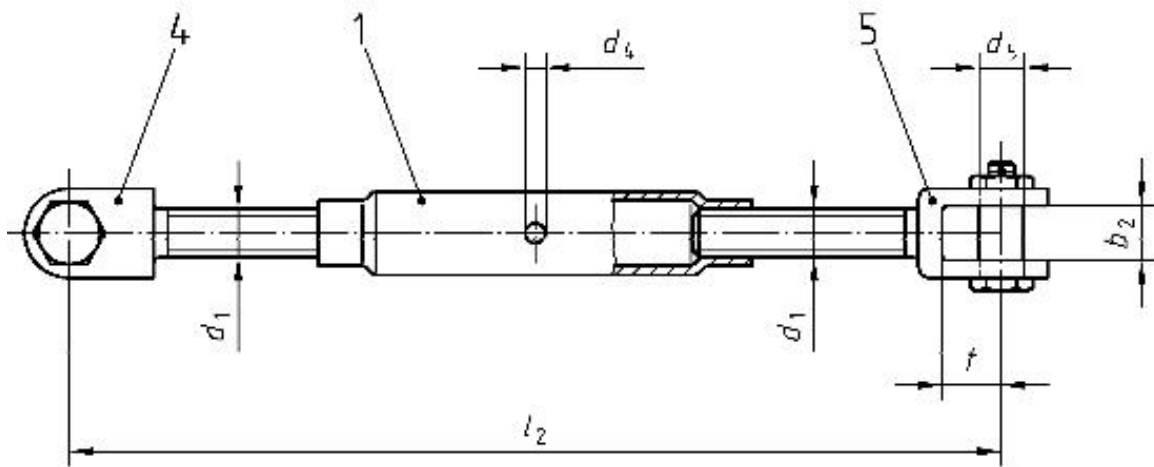
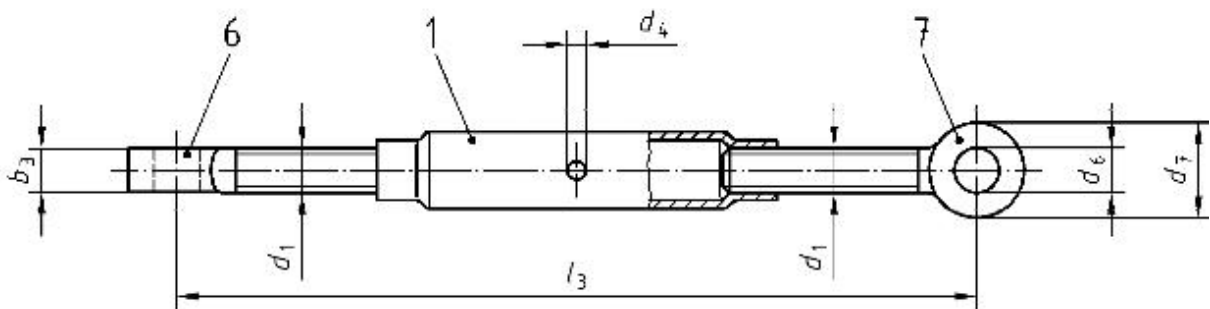


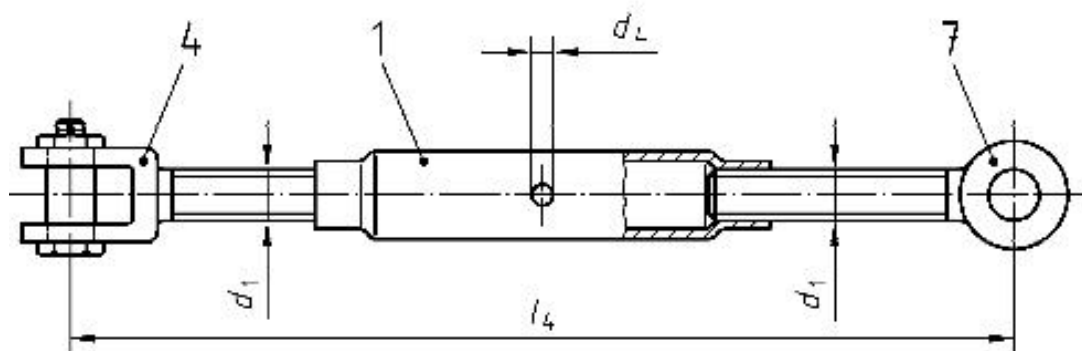
Turnbuckle DIN 82004 with double lugs Form B



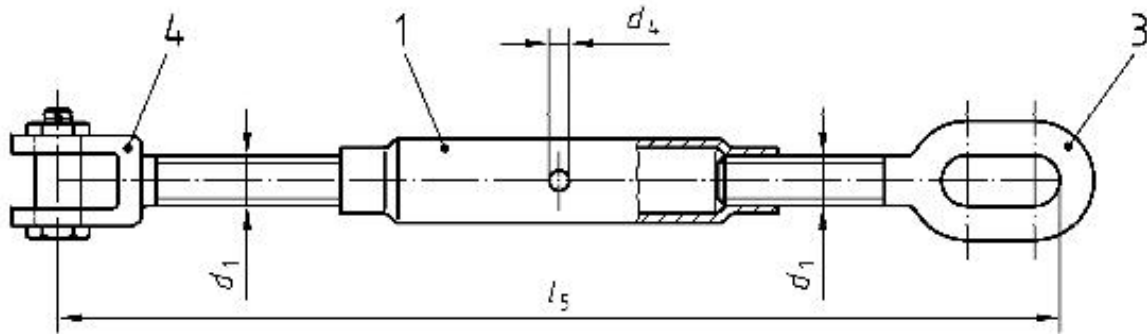
Turnbuckle DIN 82004 with round eyes Form C



Turnbuckle DIN 82004 with jaw/round eye Form D



Turnbuckle DIN 82004 with jaw/ oval eye Form E



Part No.	b2 mm	b3 mm	RH and LH thread d1 mm	d5		d6 mm	d7 mm	l2	l3	l4	l5	t mm
				mm	mm			mm	mm	mm		
TB8x12	12	10	M12	12	10	11,5	22	372	356	364	389	15
TB8x16	16	12	M16	12	12	14	28	411	397	404	449	18
TB8x18	19	16	M18	12	16	18	35	466	442	454	494	23
TB8x22	23	20	M22	14	20	23	45	514	484	499	549	28
TB8x24	26	22	M24	14	22	25	50	558	524	541	588	31
TB8x27	29	25	M27	14	24	27	55	602	566	584	647	34
TB8x30	32	28	M30	18	27	30	60	645	605	629	685	36
TB8x33	35	30	M33	18	30	33	65	686	642	664	746	39
TB8x36	39	35	M36	18	36	39	75	748	688	718	798	46
TB8x42	45	40	M42	22	39	42	85	824	764	794	884	51
TB8x45	49	45	M45	22	45	48	95	918	848	883	978	56
TB8x52	58	50	M52	22	48	52	110	990	920	955	1055	63

Please note TB8x12, if form A, part no. is TB8A1; if form B, part no. is TB8B12, form C, D, E is similar.