

Turnbuckle DIN 1479, hexagon type turnbuckle

TURNBUCKLE DIN 1479

Hexagon type



YUYAO SWINTOOL CO.,LTD

www.swintool.com

DIN 1479:2005 Hexagon Turnbuckles type:

Technical info of Turnbuckles made from hexagon bar:

Material of hexagon turnbuckle:

Steel 5 as in DIN EN 20898-2, in China 45 steel.

Stainless steel is Grade A4 I as in DIN EN ISO 3506-2, in China 304, 316 or 316L stainless steel..

Screw threads of turnbuckle:

The threads of turnbuckles shall be metric coarse pitch threads as in DIN ISO 965-2, produced to tolerance 6H.

Turnbuckle with Right-hand thread and Left-hand thread, as RH and LH thread.

Surface finish of turnbuckle:

DIN EN ISO 4042 shall apply with regard to electroplating.

DIN EN ISO 10684 shall apply with regard to hot dip galvanizing.

For turnbuckles made of stainless steel, passivation in accordance with DIN EN ISO 16048 is required.

Turnbuckle Connection components:

Welding stud as per DIN 34828.

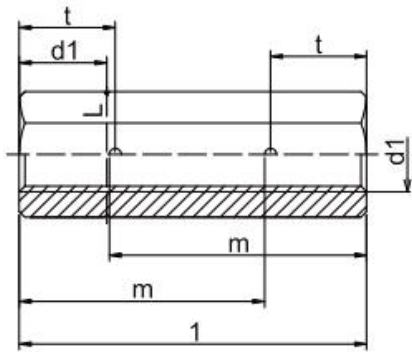
Customized forged clevis fork links, eye blot, hooks, rod end etc.

Turnbuckle Assembly

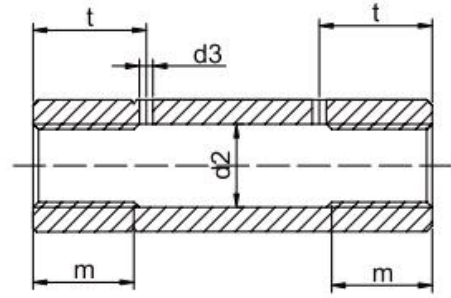
Turnbuckle shall be assembled with welding studs, jaw/jaw, eye/eye, hook/hook.

Jaw/eye, jaw/hook, eye/hook etc.

Hexagon turnbuckle DIN 1479



Form A (A型) M6 to M16



Form B (B型) M20 to M48

Part No.	Thread d1	d2	d3	S	L	M	T	Weight kg
TBN06	M6		4	10	30	22,5	9.5	
TBN08	M8			13	35	25,0	12	
TBN10	M10			16	45	33	14	
TBN12	M12			18	55	40,0	17	
TBN14	M14*			24	65	55	22	
TBN16	M16		4	24	75	55		
TBN20	M20	21	4	30	95	24	26	
TBN24	M24	26	4	36	115	29	31	
TBN27	M27*	32		41	120	32	31	
TBN30	M30	32	4	46	125	36	38	
TBN36	M36*		6	55	145	40		
TBN42	M42*			65	165	44		
TBN48	M48*		6	75	190	48		

