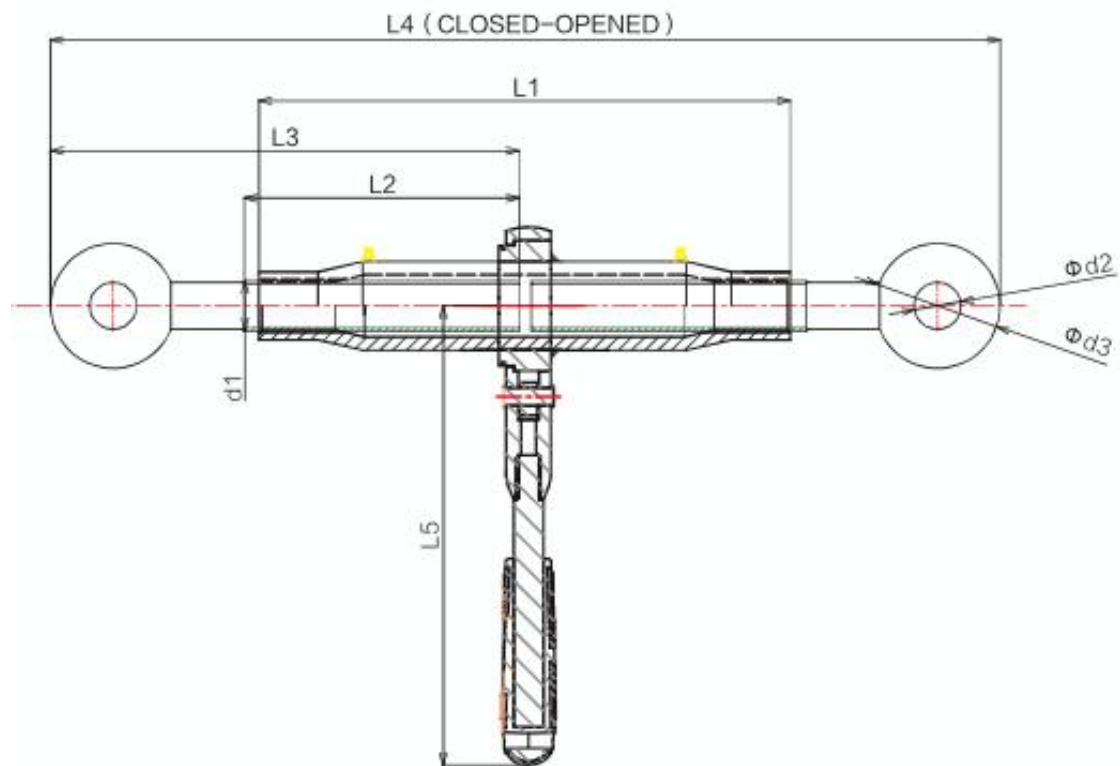


Small ratchet turnbuckle



Part No.	Thread d1	d2	d3	L1	L2 MIN	L3	L4	L5	Adjustable	Weight kg
RE0160	M16	22	47	170	200	165	330-450	230	120	1.6
RE0200	M20	24	52	200	200	168	336-476	230	140	1.95

Small ratchet turnbuckle. eye to eye is American power pull mini load binder, China type closed body galvanized turnbuckle with ratchet, two ends are forged eye, micro turnbuckle is for small lifting chains, mini load binder chain tensioner tightener LBS 400.

This small load binder has a ratchet handle wrench, two tension eye bolt on each end. Turnbuckle is made of seamless steel pipe with cold formed two ends: LH and RH thread.

Quick ratchet mini load binder is roller chain tightener tool, 3/8-1/2 peerless, 10mm chains, tire chain tightener, galvanized turnbuckles is fixed with ratchet, turning make two ends with LH and RH to pull together or push apart, also called ratchet straps.