

SAE Flange Clamps with metric tapped hole ,ISO 6162-2, 6000psi working pressure, SAE J518 code 62 flange series

SAE Flange Clamps with tapped hole **Code 62 FS-WM series**



YUYAO SWINTOOL CO.,LTD

www.swintool.com

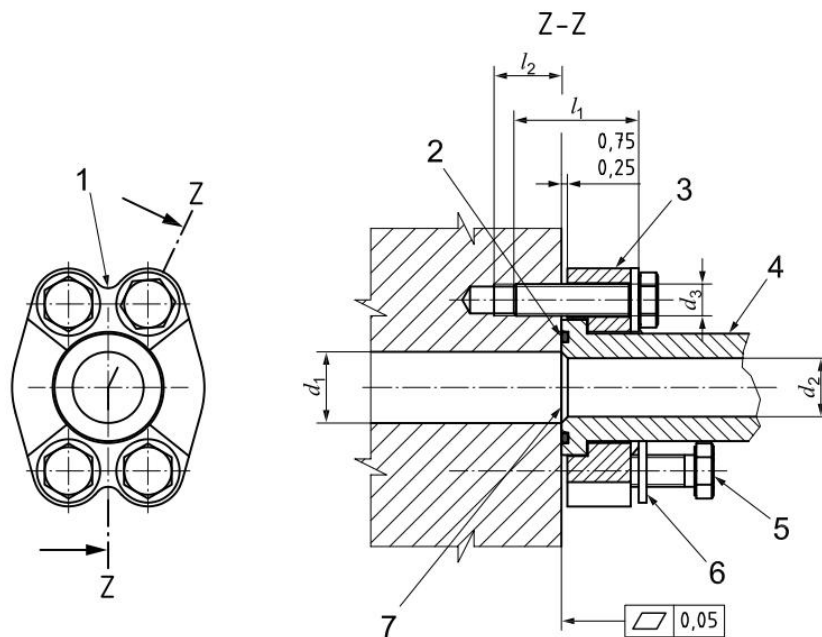
SAE J518 code 62 Flange Clamps with Tapped Metric hole

Instruction for code 62 Flange Clamps one piece type:

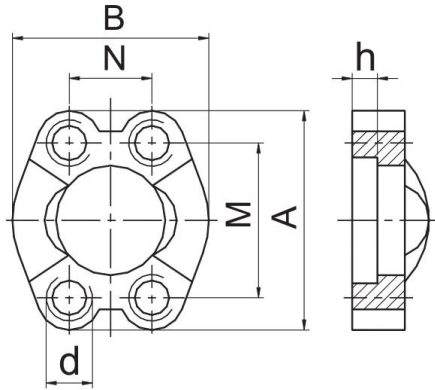
1. **Working pressure** of SAE code 62 series flange clamps is 42 MPa (420 bar).
2. **SAE Flange clamps dimensions** is according to ISO 6162-2:2012. ISO Nominal Size: DN 13; DN 19; DN 25; DN 32; DN 38; DN 51; DN 64; DN 76; DN 89; DN 102; DN 127; Inch size: 1/2"; 3/4"; 1"; 1 1/4"; 1 1/2"; 2"; 2 1/2"; 3".
3. **Material of SAE flange clamp** is made of carbon steel C45, Stainless steel 304, 316 or 316L.
4. **The external surface Corrosion protection** of all carbon steel flange clamps, shall be protected with an appropriate coating to pass a minimum 72-h salt spray test in accordance with ISO 9227.
5. **Test requirement for pressure/temperature:** Flange type connections conforming to this part of ISO 6162 shall be subjected to the burst and cyclic endurance tests specified in ISO 19879 to verify that they meet the specified pressure/temperature requirements.
6. **Designation of one piece flange clamps connections**
One-piece flange clamp size DN 25, with tapped metric hole: Clamp ISO 6162-2, FCM × 25
Swintool company use FS-16WM(dash size)W: SAE 6000 psi flange clamps size 1" inch metric tapped hole .
Parker company use FUSM6x(2,3,4,5,6,8, etc) and FCC (dash size FCCT2)
Stauff company use BM-Gx(1,2,3,4,5,6,7,8,9,10,11)

Assembled flange connection with one-piece flange clamp (FC or

FCM)



SAE Flange Clamps ISO 6162-2 FS
6000 Psi-SERIES CAPTIVE WITH 4-BLOT HOLES / THREAD HOLES
FS-xxWM



Stauff SAE Flange Clamp Metric Holes no. BM-G
 FS-xxWU with Inch screw UNF thread holes

PART NO.	FLANGE SIZE	DIMENSIONS					
		A	B	d	h	M	N
FS-08WM	1/2"	56	47.2	M8	7.2	40.5	18.2
FS-12WM	3/4"	71	60	M10	8.2	50.8	23.8
FS-16WM	1"	81	69.9	M12	9	57.2	27.8
FS-20WM	1.14"	95	77.2	M14	9.8	66.6	31.8
FS-24WM	1.12"	113	95	M16	12	79.3	36.5
FS-32WM	2"	133	113.8	M20	12	96.8	44.5