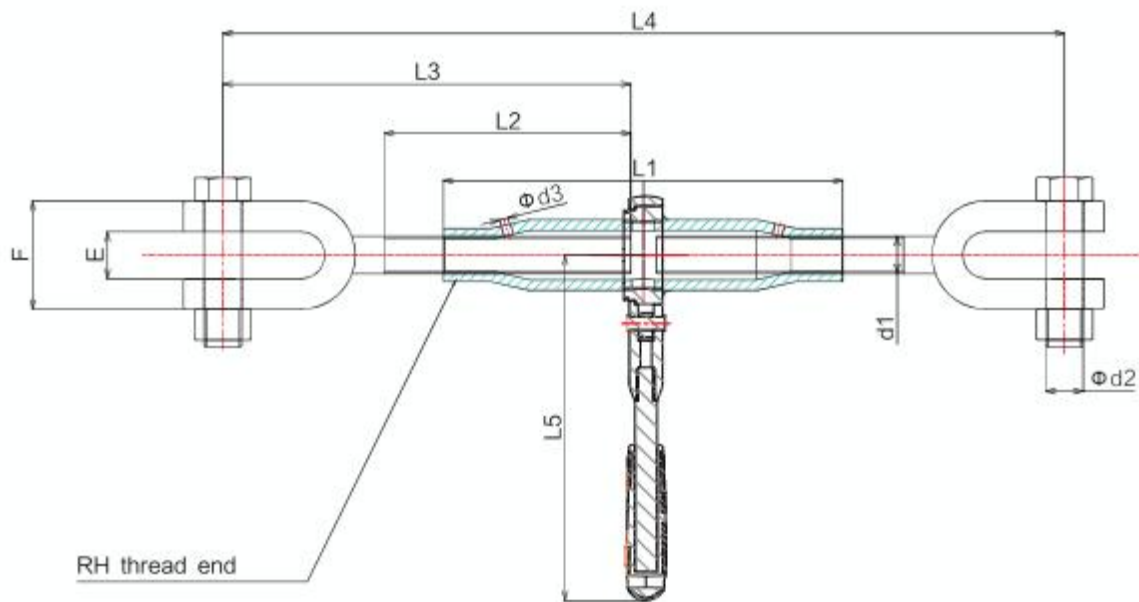


## Ratchet load binder with clevis



Part No.	Thread	d1	d2	d3	L1	L2 MIN	L3	L4	L5	E	F	M.B.L	BLOTFOR	d2	Weight
RJ0160	M16	12.5	4	10	170	100	175	350-470	150	18	46	10TON	2.12		
RJ0200	M20	16.5	4	12	200	120	205	410-550	200	20	50	18TON	2.82		

Ratchet loadbinder is chosen from a wide range of styles and sizes binder with clevis end fittings, for push apart or pull together purpose. CM size ratchet turnbuckle safe working load is not heavy duty such as grade 70, 80 and 90 ratchet load binders.

Ratchet load binder is designed with clevis end forged type, capacities from 10KN to 180KN, grade 8 clevis latch hook to suit chain size 8 mm to 16mm, for use with customized need self load binder.

Load binder ratchet type clevis, is not used chains and binders for sale as illegal chain binders, should choose spring loaded chain binders with quick release 38 12. We can ship it by sea freight from Ningbo harbor.

Swintool offer mini load binder with clevis ratchet type, it is safety snap binders, China made grade small lifting turnbuckle.