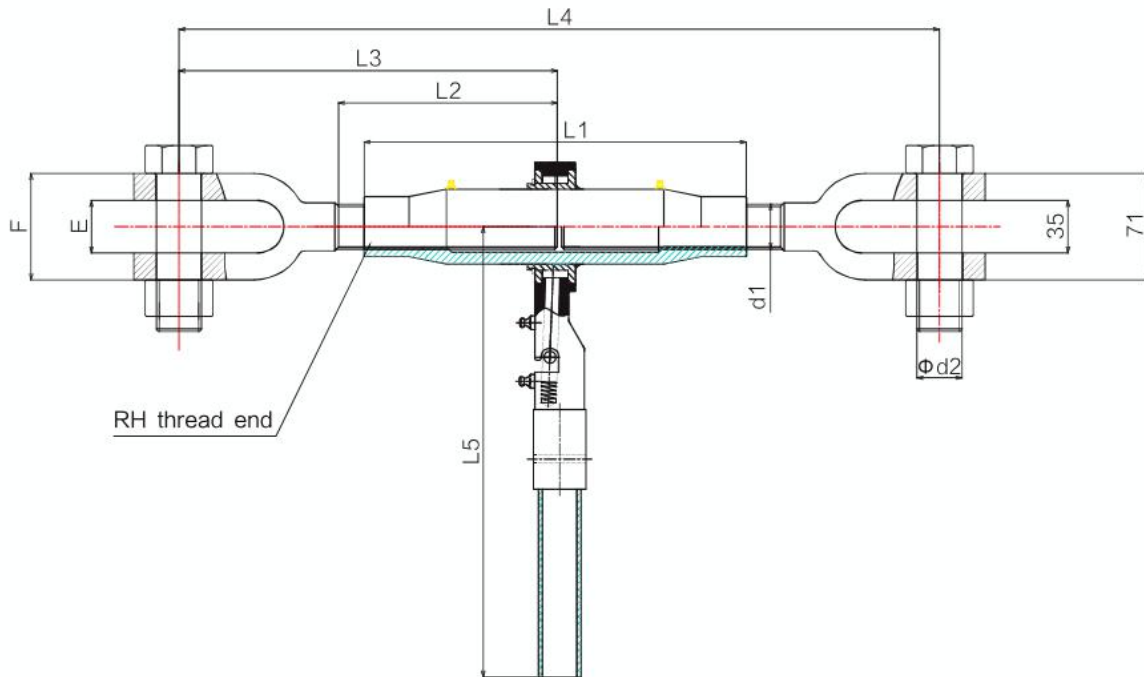


Jaw jaw ratchet turnbuckle



Part No.	Thread	d1	d2	L1	L2 MIN	L3	L4	L5	E	F	M.B.L	BLOT FOR d2	Weight kg
RJ0300	M30	30	255	145	250	500-690	300	33	71	40TON	M30	8.98	

Ratchet turnbuckle with jaw jaw fittings, is used for compactor industrial. M30 size is heavy duty, working load limit end fittings is Jaw to Jaw connections, also connect to hooks, eyes, oval end etc specialty part.

Our complete range of compactor and container ratchet turnbuckle, can be interchangeable to many brands such as Dixie, Durabilt. You can find quality, buy reliable global suppliers in China Swintool.

If you are importer of compactor ratchet turnbuckle, for waste compaction system, we are your right manufacturer. We offer forged steel clevis jaws, ratchet load binder design is better than wheel turnbuckle load binder for saving labor force. FOB Ningbo, Shanghai US price for exporting operation.

We accept Min order from 5pcs. As a leading manufacturer of ratchet turnbuckle clevis jaw type, custom thread size from M20, M24, M30 and M36, specialty ratchet and heavy duty turnbuckle support us to service you OEM demand.