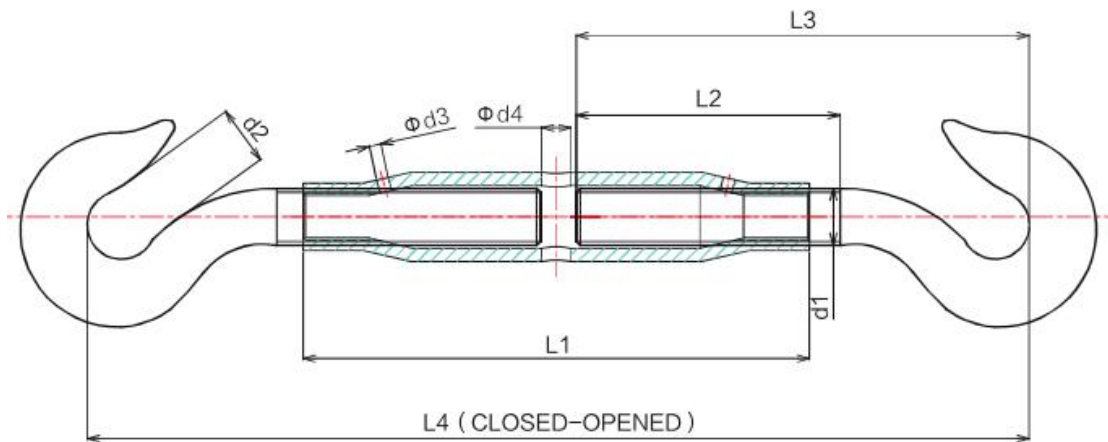


Turnbuckle DIN 1478, closed body turnbuckle, heavy duty turnbuckle, turnbuckle eye to eye, forks, hooks etc.

Hook hook turnbuckle DIN 1478



Prat No.	Thread d1	d2	d2	d3	L1	L2	L3	L4	Adjustable	Weight kg
TH0060	M6	8	4	6	110	55	77	160-250	90	0.16
TH0080	M8	9.5	4	6	110	57	85	176-261	85	0.192
TH0100	M10	12	4	8	125	68	105	220-315	95	0.325
TH0120	M12	15	4	10	125	70	115	240-330	90	0.453
TH0160	M16	19	4	10	170	88	144	298-418!	120	0.956
TH0200	M20	20	4	12	200	105	168	348-488	140	1.524
TH0240	M24	25	4	12	255	135	215	430-610	180	3.163
TH0300	M30	31	4	16	255	135	240	496-656	160	4.57
TH0360	M36	44	6	16	295	160	277	570-750	180	9.2

