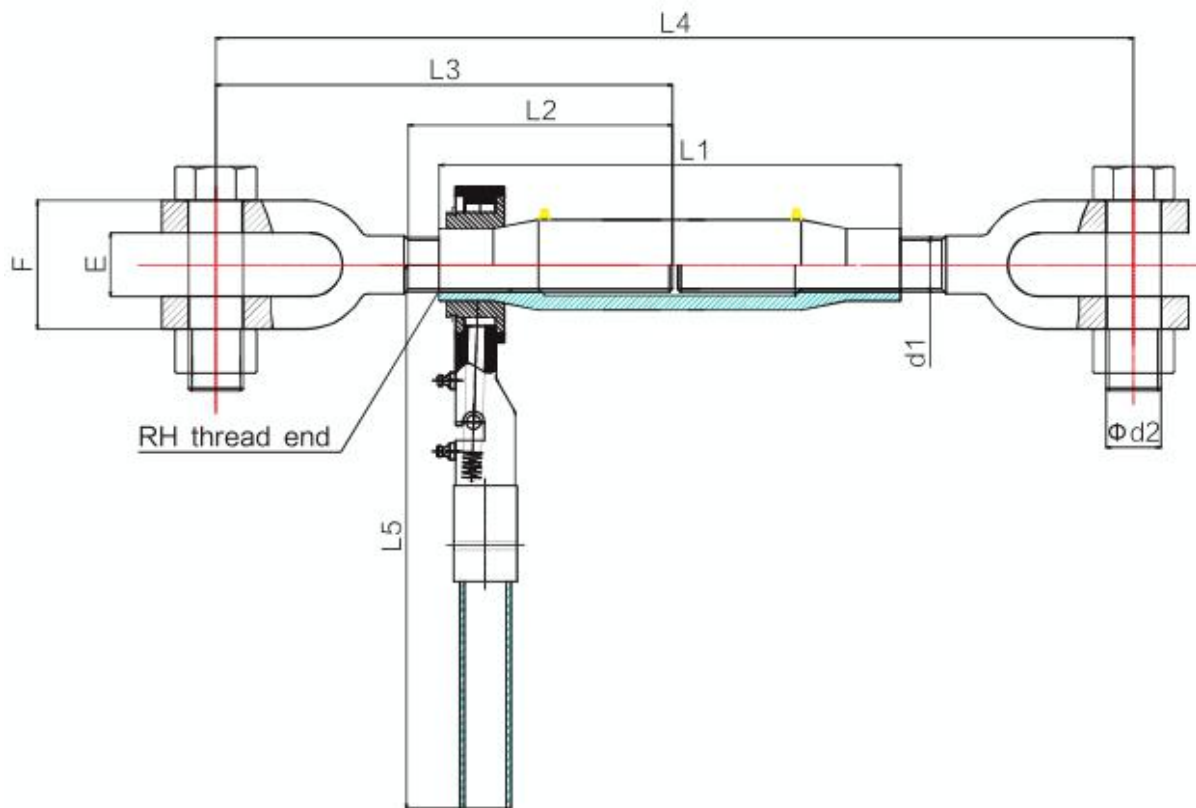


Heavy duty ratchet turnbuckle



Part No.	Thread	d1	d2	L1	L2 MIN	L3	L4	L5	E	F	M.B.L	BLOT FOR d2	Weight
RJ0360	M36	37	295	160	330	660-840	400	57	100	60TON	M36		
RJ0420	M42	43	330	200	310	620-820	400	60	120	80TON	M42		
RJ0480	M48	50	355	220	332	664-874	400	64	142	96TON	M50		

Heavy duty ratcheting turnbuckle is not different from small ratchet turnbuckle, it is not used chains and binders for sale in cargo safe secure a heavy load, should be customized ratchet binders for baler load from 60 to 100 ton.

Lashing towing equipment need ratchet load binder or lever mechanisms, more load securing chain binders and heavy duty ratchet is designed to tighten chain for securing a load, about 9% of these are standard hardware.

A wide variety of heavy duty ratchet turnbuckle is customized for construction machinery, agricultural equipment etc industrial manufacturing.