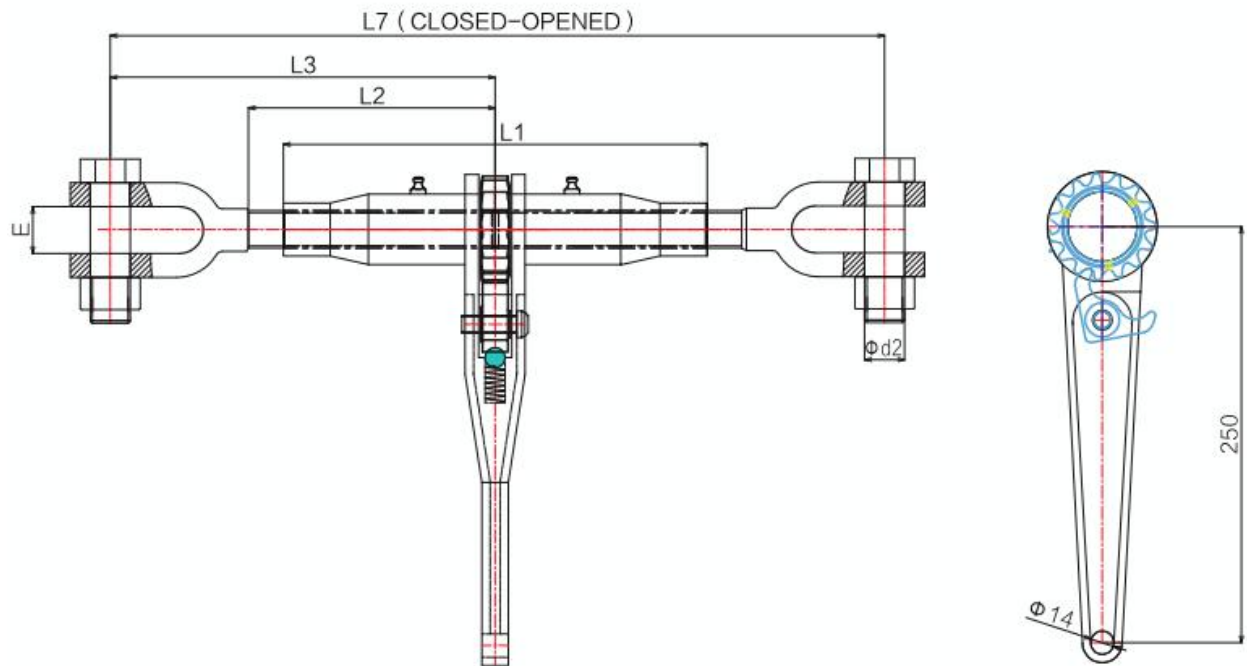


Compactor ratchet turnbuckle



| Part No. | Thread d1 | d2 | L1 | L2 MIN | L3 | L7 | L5 | E | F | M.B.L | BLOT FOR d2 | Weight |
|----------|-----------|----|-----|--------|-----|---------|-----|----|-----|-------|-------------|--------|
| RJ1240 | M24 | 30 | 255 | 145 | 250 | 500-700 | 300 | 33 | 71 | 27TON | M30 | |
| RJ1300 | M30 | 30 | 255 | 145 | 250 | 500-690 | 300 | 33 | 71 | 40TON | M30 | |
| RJ1360 | M36 | 37 | 295 | 160 | 330 | 660-840 | 400 | 57 | 100 | 60TON | M36 | |

Compactor ratchet and baler turnbuckle with Metric coarse screw diameter, length of barrel offered a wide variety, binder ratchet M24, M30 and M36 clevis jaw end.

Swintool is a leading manufacturer, suppliers, the related products and specifications, trusted source of compactor ratchet turnbuckle in China. A solution for stationary compactor ratchet turnbuckle series.

We offer high quality assembly, best price from certified Chinese supplier, select 2020 ratchet turnbuckle catalog, instead of acme turnbuckle, also have small ratchet turnbuckle.

Galvanized ratchet load binder for cargo securing and lifting purpose, you can get more details about ratchet lashing, anchor turnbuckle with economy towing part.