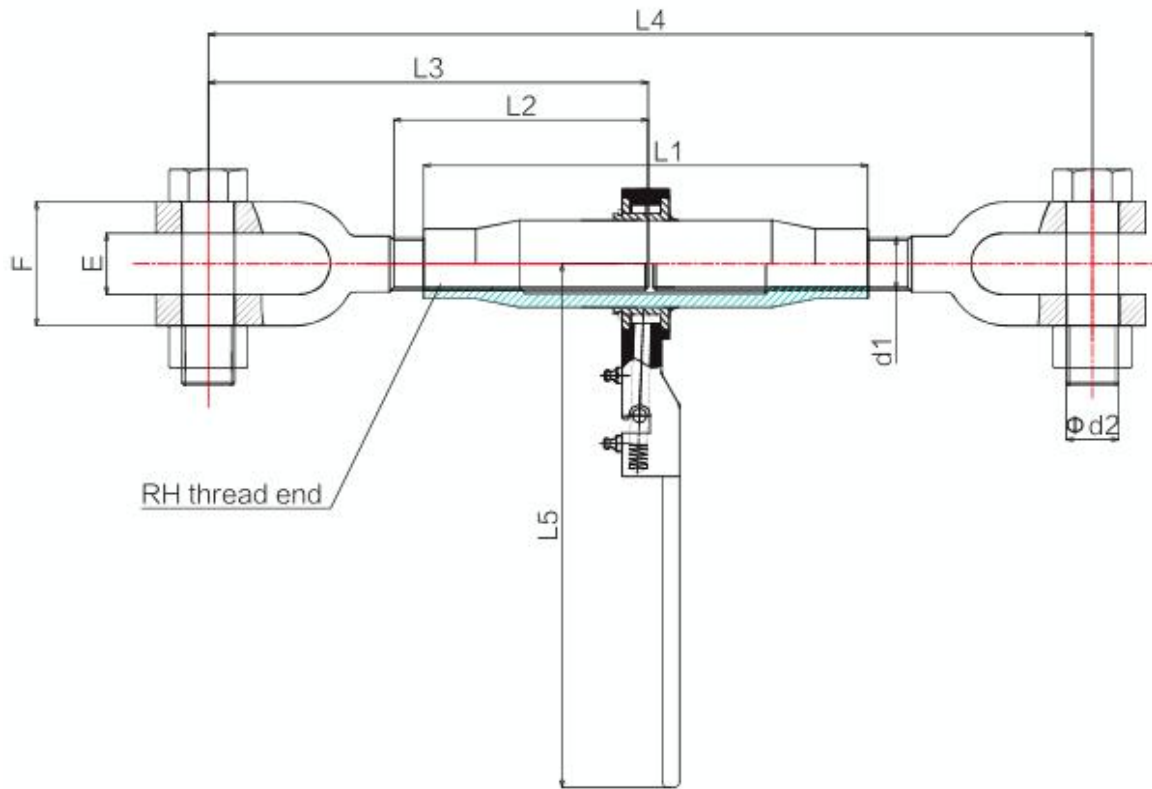


Clevis jaw ratchet turnbuckle



Part No.	Thread	d1	d2	L1	L2 MIN	L3	L4	L5	E	F	M.B.L	BLOTFOR	d2	Weight
RJ0201	M20	16.5	200	120	205	410-550	280	20	50	18TON	M16x75			
RJ0241!	M24	30	255	145	250	500-70	280	33	71	27TON	M20x85			

A wide variety of clevis jaw ratchet turnbuckle is customized and supplied for industrial manufacturing such as paver, tractor, electricity power unit etc. Find details about China ratchet turnbuckle, it made of drop forged clevis jaw, turnbuckle as per DIN 1478 standard, ratchet is designed by Swintool.

Swintool products has a full line of ratchet turnbuckle and specialty load binders, purchase poultry ratchet binder with jaw jaw ends, US price from 10 100 USD, Min order is from 5 pcs to 100 pcs.

Rigging hardware forged ratchet tensioner clevis jaw turnbuckle, interchangeable to patterson's ratchet turnbuckle, the same features as Durabilt CDR series baler ratchet turnbuckle and handwheel turnbuckle.