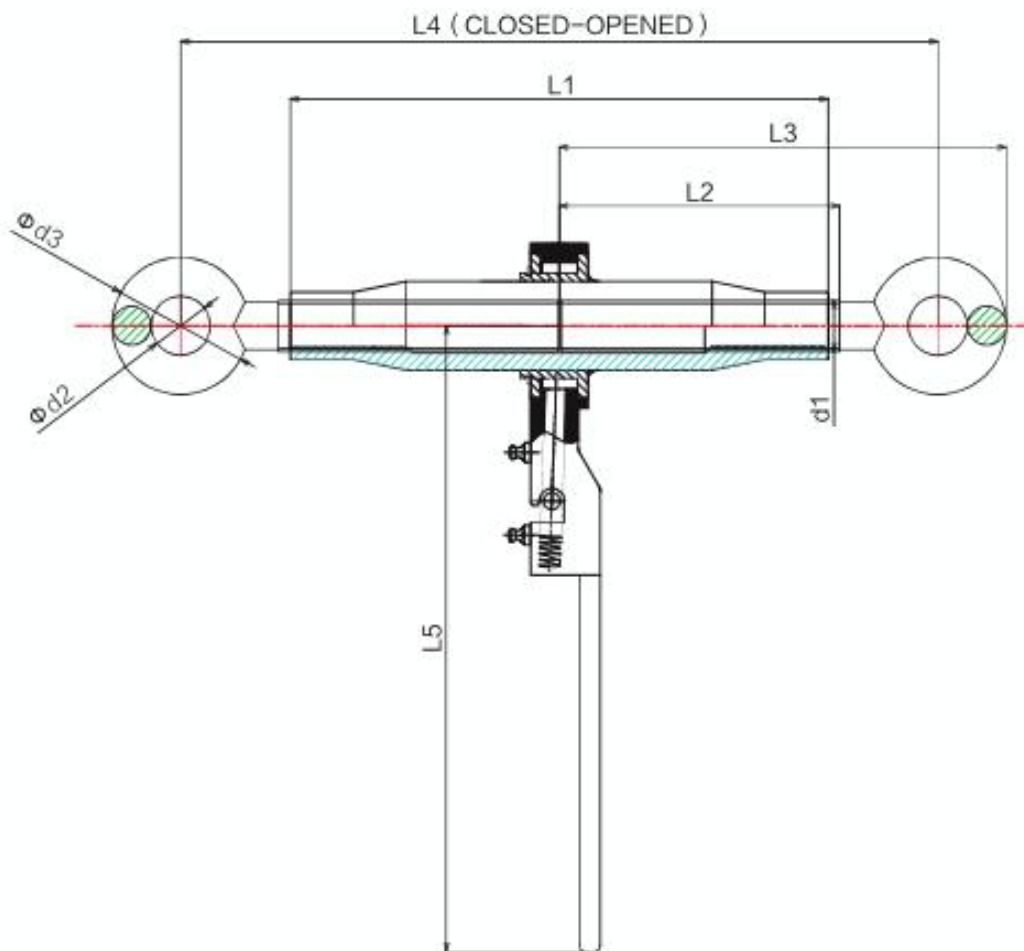


Baler ratchet turnbuckle



Part No.	Thread d1	d2	d3	L1	L2 MIN	L3	L4	L5	Adjustable	Weight kg
RE0201	M20	24	52	200	105	168	284-424	280	140	
RE0241	M24	28	65	255	135	212	388-568	280	180	

Specialty ratchet turnbuckle for baler and compactor containers, stronger design heavy duty turnbuckle ratchet wrench for industrial usage. We offer M20 and M24 size, suit for your working load limits, assembly with forged eye blot end fittings.

Custom baler ratchet load binder WLL is designed by EYE/EYE, also can instead of wheel handle, take up weight is more capacity, save labor force.

We have what you are looking for pro-bin series, as industry leading ratchet turnbuckle baler compactor, with long and heavy duty turnbuckle, grease fittings.