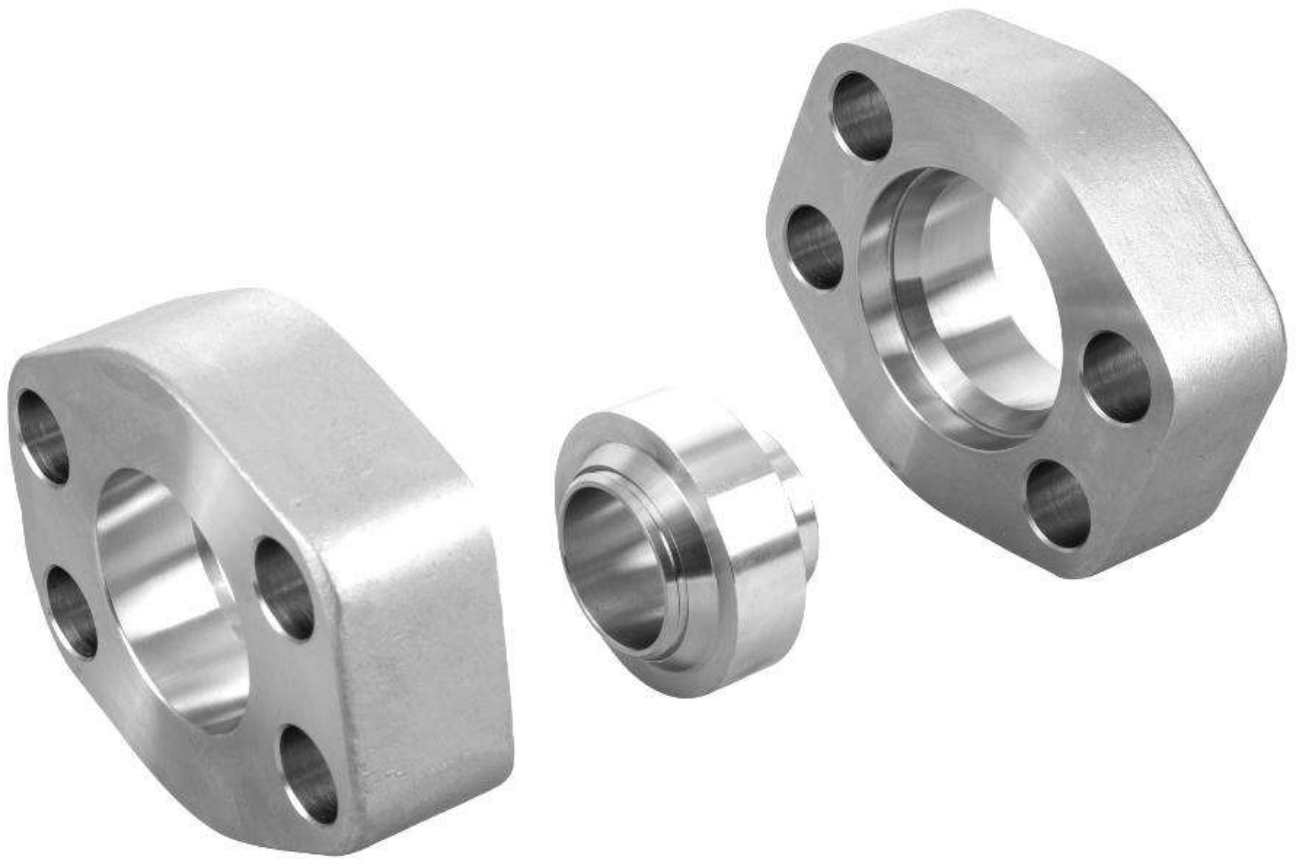


SAE 37 degree flare flange clamp system, SAE 3000 psi code 61 and SAE 6000 psi code 62 working pressure rate

## SAE 37 Flare Flange Clamps



**YUYAO SWINTOOL CO.,LTD**

**余姚市向华工具有限公司**

## **SAE Flare Flange Clamps**

### **Instruction for SAE J518 37 Flare Flange Clamps type:**

All flare flange clamps of 4-bolt dimensions is the same to SAE J518 / ISO 6162 standards, the differences is connection way: Flare flange system is used for the deburred tube end is flared to 37° , An insert, soft sealed by an O-Ring, is located into each pipe end. By tightening the flanges together, a soft sealed, high pressure tube connection is made.

Material of Flare flange clamps and couplings:

Carbon steel C45; Stainless steel 304, 316 or 316L.

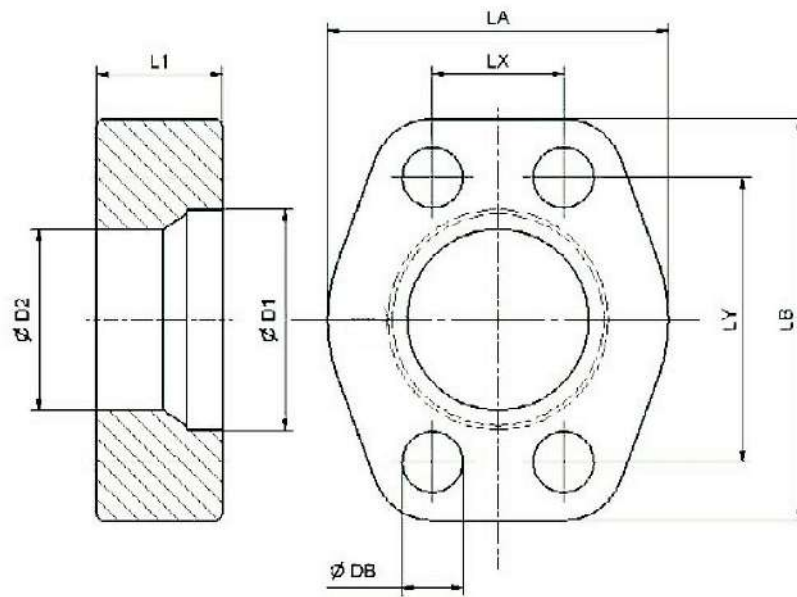
All carbon steel flare flange clamp connection system shall be plated or coated with a suitable material that passes a 72-h salt spray test in accordance with ASTM B117 (ISO 9227).

This flare flange connection is used in high and medium pressure applications, you will found in these industries such as shipbuilding and Offshore, Metals & Mining, Construction machinery. Flare flange system is also suitable for hydraulic, lubrication, hydro carbon, high pressure air, high pressure water cleaning lines etc piping systems.

The difference between SAE flare flange and Split flange clamp system: SAE flange clamps and split flange halves is used for tightening the flanged head with different types of tube connectors and hose fittings, or flange plugs connection; flare flange clamps is used for rigid seamless steel tubing without welding. The same sealing connection is O-ring flat face connection; the same SAE flange port dimensions; the same ISO 6162 and SAE J518 standards.

SAE 37 degree flare flange clamp system, SAE 3000 psi code 61 and SAE 6000 psi code 62 working pressure rate

SAE 37 degree flare flange clamps 3000 psi and 6000 psi



SAE 3000 psi flange flare clamps dimensions

Part No.	Size Inch	D1	D2	L1	LA	LB	LX	LY	DB	Weight (Steel) kg/1 piece
FFC316	1	46	38.5	24	59	70.5	26.2	52.4	11	0.3
FFC320	1 1/4	51	42.5	22	73	80.5	30.2	58.7	11	0.46
FFC324	1 1/2	61.5	50.5	25	83	94.5	35.7	69.9	13.5	0.68
FFC332	2	71.5	60.5	33	97	101.5	42.9	77.8	13.5	0.98
FFC340	2 1/2	85	75.5	44	109	115.5	50.8	88.9	13.5	1.63
FFC348	3	102.5	90.5	50	132	135	61.9	106.4	17	2.79
FFC364	4	127.5	115.5	35	152	162	77.8	130.2	17	4.25
FFC380	5	152.5	125.5	45	181	184	92.1	152.4	17	4.68

SAE 6000 psi flange flare clamps dimensions

Part No.	Size Inch	D1	D2	L1	LA	LB	LX	LY	DB	Weight (Steel) kg/1 piece
FFS616	1	46.0	38.5	24	70	81.0	27.8	57.2	13	0.53
FFS620	1 1/4	51.0	42.5	30	78	95.5	31.8	66.6	15	0.92
FFS624	1 1/2	61.5	50.5	35	95	112.0	36.5	79.3	17	1.54
FFS632	2	71.5	60.5	40	114	133.5	44.5	96.8	22	2.44