

SAE Flange Clamps with tapped thread, ISO 6162-1, 3000psi working pressure, SAE J518 code 61 flange series

## SAE Flange Clamp with taped Metric **Code 61 FL-WM series**



**YUYAO SWINTOOL CO.,LTD**

[www.swintool.com](http://www.swintool.com)

## SAE code 61 Flange Clamps With Tapped Thread

### Instruction for code 61 Flange Clamps one piece type tapped:

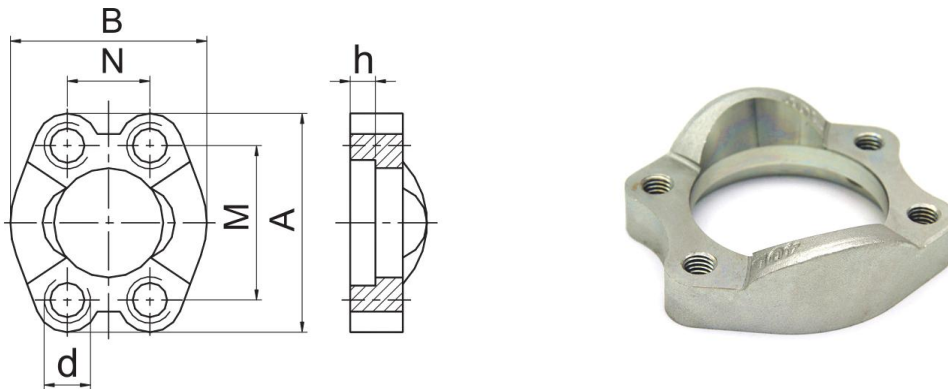
1. **Working pressure** of SAE code 61 series flange clamps is 3000 PSI, 3,5 MPa (35 bar) to 35 MPa (350 bar).
2. **SAE Flange clamps dimensions** is according to ISO 6162-1:2012. ISO Nominal Size: DN 13; DN 19; DN 25; DN 32; DN 38; DN 51; DN 64; DN 76; DN 89; DN 102; DN 127; Inch size: 1/2"; 3/4"; 1"; 1 1/4"; 1 1/2"; 2"; 2 1/2"; 3".
3. **Material of SAE one-piece flange clamp** is made of carbon steel C45 ,Stainless steel 304,316 or 316L.
4. **The external surface Corrosion protection** of all carbon steel flange clamps,shall be protected with an appropriate coating to pass a minimum 72-h salt spray test in accordance with ISO 9227.
5. **Test requirement for pressure/temperature:** Flange type connections conforming to this part of ISO 6162 shall be subjected to the burst and cyclic endurance tests specified in ISO 19879 to verify that they meet the specified pressure/temperature requirements.
6. **Designation of one piece flange clamps connections**  
Clamp ISO 6162-2, FCM × 25  
One-piece flange clamp size DN 25 to be used only with metric screws (type 1)  
Clamp ISO 6162-2, FC × 25  
One-piece flange clamp size DN 25 to be used only with inch screws (type 2)  
Swintool company use FL-16(dash size)W: SAE 3000 psi flange clamps size 1" inch.  
Parker company use FUS3x(2,3,4,5,6,8, etc) and FCC (dash size FCCT1 )  
Stauff company use BM-Gx(1,2,3,4,5,6,7,8,9,10,11)

### SAE Flange Clamp with Metric Tapped hole

#### FL-xxWM

Stauff SAE Flange Clamp Metric Holes no. BM-G

FL-xxWU with Inch screw UNF thread



PART NO.	FLANGE SIZE	DIMENSIONS					
		A	B	d	h	M	N
FL-08WM	12"	54	45.6	M8	6.2	38.1	17.5
FL-12WM	34"	65	51.8	M10	6.2	47.6	22.2
FL-16WM	1"	70	58.4	M10	7.5	52.4	26.2
FL-20WM	1.14"	79	72.6	M10	7.5	58.7	30.2
FL-24WM	1.12"	94	82.2	M12	7.5	69.9	35.7
FL-32WM	2"	102	96.4	M12	9	77.8	42.9
FL-40WM	2.12"	114	108.2	M12	9	88.9	50.8
FL-48WM	3"	135	130.6	M16	9	106.4	61.9

Note:

1. Metric thread is Coarse pitch thread in accordance with ISO 261 and ISO 724.

### SAE Flange Clamp with UNC Tapped hole

#### FL-xxWU

UNC thread is Coarse pitch thread in accordance with ISO 263 and ISO 725 (UNC-2A for screw threads, UNC-2B for port threads).